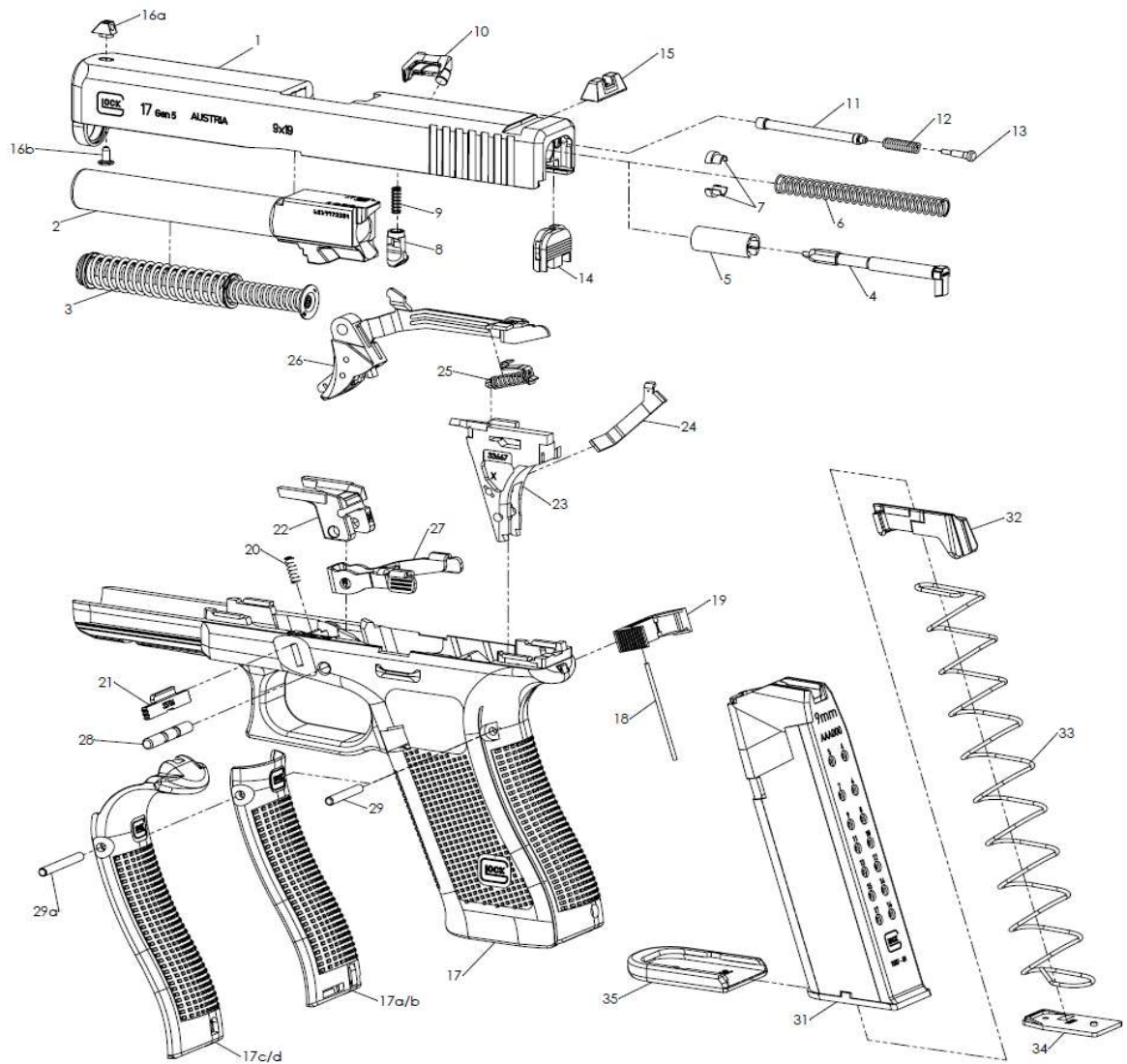


GLOCK Price List Spare Parts



www.glock.com

SPARE PARTS FOR GEN5 PISTOLS Exploded drawing GLOCK 17 Gen5



Above part numbers are also applicable to any other pistol model.

Spareparts GLOCK 17 Gen5/FS & GLOCK 17 Gen5/MOS/FS

Pos.		
Nr.	Item No..	Description
1	43773	Slide G17 Gen5/FS
2	41002	Barrel G17 Gen5 / M
	42786	Barrel G17 Gen5 / M with thread M13,5x1 left
3	33786	Recoil spring assembled
4-7	39327	Firing pin assembled
4	36618	Firing pin
5	56	Spacer sleeve
6	63	Firing pin spring 24N (silver)
7	70	Spring cups
	1148	Firing pin channel liner
8+9	33782	Firing pin safety assembled
8	33781	Firing pin safety
9	91	Firing pin safety spring
10	33774	Extractor (Loaded Chamber Indicator)
11-13	3449	Extractor depressor plunger assembled (Loaded Chamber Ind.)
11	112	Extractor depressor plunger
12	33522	Extractor depressor plunger spring
13	2714	Spring-loaded bearing (Loaded Chamber Indicator)
14	33784	Slide cover plate
15	39733	Rear sight 6,1 GMS polymer
16	7073	Front sight 4.1 set polymer
17	47985	Frame G17 Gen5 flared assembled (FG/R/Mod1), incl. beavertail set *)
17 a-d	30818	Beavertail set **)
18	39543	Magazine catch spring
19	7534	Magazine catch reversible
20	39567	Slide lock spring
21	33706	Slide lock
22	7894	Locking block
23	47208	Trigger mechanism housing with ejector (including trigger spring)
24	7965	Connector 5 (dot)
25	not applicable	
26	39702	Trigger with trigger bar AMBI
27	47247	Slide stop lever AMBI
28	8298	Trigger pin AMBI
29	1774	Trigger housing pin SF
29a	7416	Trigger housing pin MBS
31-35	39328	Magazine assembled, 17rds
31	1587	Magazine tube
32	5233	Follower orange
33	33510	Magazine spring
34	1693	Magazine insert
35	39283	Magazine floor plate 01

*) Not compatible with previous or Gen4 models

***) Beavertail set consisting of:
back strap size M, back strap size L,
beavertail back strap size M, beavertail back strap size L
trigger housing pin MBS, disassembly tool MBS, information sheet

Spareparts GLOCK 19 Gen5/FS & GLOCK 19 Gen5/MOS/FS

Pos.		
Nr.	Item No..	Description
1	43775	Slide G19 Gen5/FS
2	41004	Barrel G19 Gen5 / M
	42733	Barrel G19 Gen5 / M with thread M13,5x1 left
3	39310	Recoil spring assembled
4-7	39327	Firing pin assembled
4	36618	Firing pin
5	56	Spacer sleeve
6	63	Firing pin spring 24N (silver)
7	70	Spring cups
	1148	Firing pin channel liner
8+9	33782	Firing pin safety assembled
8	33781	Firing pin safety
9	91	Firing pin safety spring
10	33774	Extractor (Loaded Chamber Indicator)
11-13	3449	Extractor depressor plunger assembled (Loaded Chamber Ind.)
11	112	Extractor depressor plunger
12	33522	Extractor depressor plunger spring
13	2714	Spring-loaded bearing (Loaded Chamber Indicator)
14	33784	Slide cover plate
15	39733	Rear sight 6,1 GMS polymer
16	7073	Front sight 4.1 set polymer
17	47986	Frame G19 Gen5 flared assembled (FG/R/Mod1), incl. beavertail set *)
17 a-d	30820	Beavertail set **)
18	39543	Magazine catch spring
19	7534	Magazine catch reversible
20	39567	Slide lock spring
21	33706	Slide lock
22	7894	Locking block
23	47208	Trigger mechanism housing with ejector (including trigger spring)
24	7965	Connector 5 (dot)
25	not applicable	
26	39702	Trigger with trigger bar AMBI
27	47247	Slide stop lever AMBI
28	8298	Trigger pin AMBI
29	1774	Trigger housing pin SF
29a	7416	Trigger housing pin MBS
31-35	39231	Magazine assembled, 15rds
31	1594	Magazine tube
32	5233	Follower orange
33	33509	Magazine spring
34	1693	Magazine insert
35	39283	Magazine floor plate 01

*) Not compatible with previous or Gen4 models

***) Beavertail set consisting of:

back strap size M, back strap size L,
beavertail back strap size M, beavertail back strap size L
trigger housing pin MBS, disassembly tool MBS, information sheet

Spareparts GLOCK 26 Gen5/FS & GLOCK 26 Gen5/MOS/FS

Pos.		
Nr.	Item No..	Description
1	44992	Slide G26 Gen5/FS
2	41091	Barrel G26 Gen5
3	2211	Recoil spring assembled
4-7	39327	Firing pin assembled
4	36618	Firing pin
5	56	Spacer sleeve
6	63	Firing pin spring 24N (silver)
7	70	Spring cups
	1148	Firing pin channel liner
8+9	33782	Firing pin safety assembled
8	33781	Firing pin safety
9	91	Firing pin safety spring
10	33774	Extractor (Loaded Chamber Indicator)
11-13	3449	Extractor depressor plunger assembled (Loaded Chamber Ind.)
11	112	Extractor depressor plunger
12	33522	Extractor depressor plunger spring
13	2714	Spring-loaded bearing (Loaded Chamber Indicator)
14	33784	Slide cover plate
15	39733	Rear sight 6,1 GMS polymer
16	7073	Front sight 4.1 set polymer
17 a-d	30821	Beavertail set **)
18	39543	Magazine catch spring
19	7534	Magazine catch reversible
20	39567	Slide lock spring
21	33706	Slide lock
22	30234	Locking block
23	47208	Trigger mechanism housing with ejector (including trigger spring)
24	7965	Connector 5 (dot)
25	not applicable	
26	39702	Trigger with trigger bar AMBI
27	47247	Slide stop lever AMBI
28	8298	Trigger pin AMBI
29	1774	Trigger housing pin SF
29a	7416	Trigger housing pin MBS
31-35	1580	Magazine assembled, 10rds
31	6558	Magazine tube
32	5233	Follower orange
33	33509	Magazine spring
34	1693	Magazine insert
35	3206	Magazine floor plate

***) Not compatible with previous or Gen4 models**

****) Beavertail set consisting of:**
back strap size M, back strap size L,
beavertail back strap size M, beavertail back strap size L
trigger housing pin MBS, disassembly tool MBS, information sheet

Spareparts GLOCK 34 Gen5/MOS/FS

Pos.		
Nr.	Item No..	Description
3	33786	Recoil spring assembled
4-7	39327	Firing pin assembled
4	36618	Firing pin
5	56	Spacer sleeve
6	63	Firing pin spring 24N (silver)
7	70	Spring cups
	1148	Firing pin channel liner
8+9	33782	Firing pin safety assembled
8	33781	Firing pin safety
9	91	Firing pin safety spring
10	33774	Extractor (Loaded Chamber Indicator)
11-13	3449	Extractor depressor plunger assembled (Loaded Chamber Ind.)
11	112	Extractor depressor plunger
12	33522	Extractor depressor plunger spring
13	2714	Spring-loaded bearing (Loaded Chamber Indicator)
14	33784	Slide cover plate
15	39733	Rear sight 6,1 GMS polymer
16	7073	Front sight 4.1 set polymer
17	47985	Frame G34 Gen5 flared assembled (FG/R/Mod1), incl. beavertail set *)
17 a-d	30818	Beavertail set **)
18	39543	Magazine catch spring
19	7534	Magazine catch reversible
20	39567	Slide lock spring
21	33706	Slide lock
22	7894	Locking block
23	47208	Trigger mechanism housing with ejector (including trigger spring)
24	721	Connector 2 (2 kg)
25		not applicable
26	39702	Trigger with trigger bar AMBI
27	47249	Slide stop lever extended AMBI
28	8298	Trigger pin AMBI
29	1774	Trigger housing pin SF
29a	7416	Trigger housing pin MBS
31-35	39328	Magazine assembled, 17rds
31	1587	Magazine tube
32	5233	Follower orange
33	33510	Magazine spring
34	1693	Magazine insert
35	39283	Magazine floor plate 01

***) Not compatible with previous or Gen4 models**

****)** Beavertail set consisting of:

back strap size M, back strap size L,
beavertail back strap size M, beavertail back strap size L
trigger housing pin MBS, disassembly tool MBS, information sheet

Spareparts GLOCK 44 Blowback

Pos.		
Nr.	Item No..	Description
3	39146	Recoil spring assembled
4-7	39445	Firing pin assembled
4	39016	Firing pin
5	39444	Spacer sleeve
6	63	Firing pin spring 24N (silver)
7	50042	Spring cups 02
8+9	39675	Firing pin safety assembled
8	39674	Firing pin safety
9	91	Firing pin safety spring
10	50702	Extractor (Loaded Chamber Indicator)
11-13	39682	Extractor depressor plunger assembled (Loaded Chamber Ind.)
11	33294	Extractor depressor plunger
12	33237	Extractor depressor plunger spring
13	33231	Spring-loaded bearing (Loaded Chamber Indicator)
14	39451	Slide cover plate
15	50408	Rear sight adjustable 03 polymer
16	7073	Front sight 4.1 set polymer
17 a-d	30820	Beavertail set **)
18	39543	Magazine catch spring
19	7534	Magazine catch reversible
20	39567	Slide lock spring
21	39348	Slide lock
22	39838	Locking block polymer
23	39435	Trigger mechanism housing with ejector (including trigger spring)
24	7965	Connector 5 (dot)
25	not applicable	
26	39453	Trigger with trigger bar AMBI
27	47340	Slide stop lever AMBI
28	8298	Trigger pin AMBI
29	1774	Trigger housing pin SF
29a	7416	Trigger housing pin MBS
31-35	47872	Magazine assembled, 10rds
	50521	Adapter for supressor .500 - 28 DLC Set

**) Beavertail set consisting of:
back strap size M, back strap size L,
beavertail back strap size M, beavertail back strap size L
trigger housing pin MBS, disassembly tool MBS, information sheet

Spareparts GLOCK 22 Gen5/FS & GLOCK 22 Gen5/MOS/FS

Pos.		
Nr.	Item No..	Description
1	64057	Slide G22 Gen5/FS
3	33785	Recoil spring 01 assembled
4-7	39327	Firing pin assembled
4	36618	Firing pin
5	56	Spacer sleeve
6	63	Firing pin spring 24N (silver)
7	70	Spring cups
	1148	Firing pin channel liner
8+9	33782	Firing pin safety assembled
8	33781	Firing pin safety
9	91	Firing pin safety spring
10	47984	Extractor (Loaded Chamber Indicator)
11-13	3449	Extractor depressor plunger assembled (Loaded Chamber Ind.)
11	112	Extractor depressor plunger
12	33522	Extractor depressor plunger spring
13	2714	Spring-loaded bearing (Loaded Chamber Indicator)
14	33784	Slide cover plate
15	39733	Rear sight 6,1 GMS polymer
16	7073	Front sight 4.1 set polymer
17 a-d	30818	Beavertail set **)
18	39543	Magazine catch spring
19	7534	Magazine catch reversible
20	39567	Slide lock spring
21	33706	Slide lock
22	7894	Locking block
23	50744	Trigger mechanism housing with ejector SF
24	7965	Connector 5 (dot)
25	not applicable	
26	39702	Trigger with trigger bar AMBI
27	47247	Slide stop lever AMBI
28	8298	Trigger pin AMBI
29	1774	Trigger housing pin SF
29a	7416	Trigger housing pin MBS
31-35	47264	Magazine assembled, 15rds
31	2310	Magazine tube
32	3301	Follower orange
33	33601	Magazine spring
34	5166	Magazine insert
35	39283	Magazine floor plate

***) Not compatible with previous models**

****)** Beavertail set consisting of:
back strap size M, back strap size L,
beavertail back strap size M, beavertail back strap size L
trigger housing pin MBS, disassembly tool MBS, information sheet

Spareparts GLOCK 23 Gen5/FS & GLOCK 23 Gen5/MOS/FS

Pos.		
Nr.	Item No..	Description
1	64058	Slide G23 Gen5/FS
2	32428	Barrel G23
3	39311	Recoil spring 03 assembled
4-7	39327	Firing pin assembled
4	36618	Firing pin
5	56	Spacer sleeve
6	63	Firing pin spring 24N (silver)
7	70	Spring cups
	1148	Firing pin channel liner
8+9	33782	Firing pin safety assembled
8	33781	Firing pin safety
9	91	Firing pin safety spring
10	47984	Extractor (Loaded Chamber Indicator)
11-13	3449	Extractor depressor plunger assembled (Loaded Chamber Ind.)
11	112	Extractor depressor plunger
12	33522	Extractor depressor plunger spring
13	2714	Spring-loaded bearing (Loaded Chamber Indicator)
14	33784	Slide cover plate
15	39733	Rear sight 6,1 GMS polymer
16	7073	Front sight 4.1 set polymer
17		Frame G23 Gen4 assembled (FG/R), including beavertail set *)
17 a-d	30820	Beavertail set **)
18	39543	Magazine catch spring
19	7534	Magazine catch reversible
20	39567	Slide lock spring
21	33706	Slide lock
22	7894	Locking block
23	50744	Trigger mechanism housing with ejector SF
24	7965	Connector 5 (dot)
25		not applicable
26	39702	Trigger with trigger bar AMBI
27	47247	Slide stop lever AMBI
28	8289	Trigger pin AMBI
29	1774	Trigger housing pin SF
29a	7416	Trigger housing pin MBS
31-35	47737	Magazine assembled
31	1636	Magazine tube
32	3301	Follower orange
33	33510	Magazine spring
34	5166	Magazine insert
35	39283	Magazine floor plate

***) Not compatible with previous models**

****)** Beavertail set consisting of:
back strap size M, back strap size L,
beavertail back strap size M, beavertail back strap size L
trigger housing pin MBS, disassembly tool MBS, information sheet

Spareparts GLOCK 27 Gen5/FS

Pos.		
Nr.	Item No..	Description
1	64059	Slide G27 Gen5/FS
3	2211	Recoil spring 08 assembled
4-7	39327	Firing pin assembled
4	36618	Firing pin
5	56	Spacer sleeve
6	63	Firing pin spring 24N (silver)
7	70	Spring cups
	1148	Firing pin channel liner
8+9	33782	Firing pin safety assembled
8	33781	Firing pin safety
9	91	Firing pin safety spring
10	47984	Extractor (Loaded Chamber Indicator)
11-13	3449	Extractor depressor plunger assembled (Loaded Chamber Ind.)
11	112	Extractor depressor plunger
12	33522	Extractor depressor plunger spring
13	2714	Spring-loaded bearing (Loaded Chamber Indicator)
14	33784	Slide cover plate
15	39733	Rear sight 6,5 GMS polymer
16	7073	Front sight 4.1 set polymer
17 a-d	30821	Beavertail set **)
18	39543	Magazine catch spring
19	7534	Magazine catch reversible
20	39567	Slide lock spring
21	33706	Slide lock
22	30234	Locking block 03
23	50744	Trigger mechanism housing with ejector SF
24	7965	Connector 5 (dot)
25	not applicable	
26	39702	Trigger with trigger bar AMBI
27	47247	Slide stop lever AMBI
28	8298	Trigger pin AMBI
29	1774	Trigger housing pin SF
29a	7416	Trigger housing pin MBS
31-35	1037	Magazine assembled
31	6551	Magazine tube
32	3301	Follower orange
33	33509	Magazine spring
34	5166	Magazine insert
35	3206	Magazine floor plate

***) Not compatible with previous models**

****)** Beavertail set consisting of:
back strap size M, back strap size L,
beavertail back strap size M, beavertail back strap size L
trigger housing pin MBS, disassembly tool MBS, information sheet