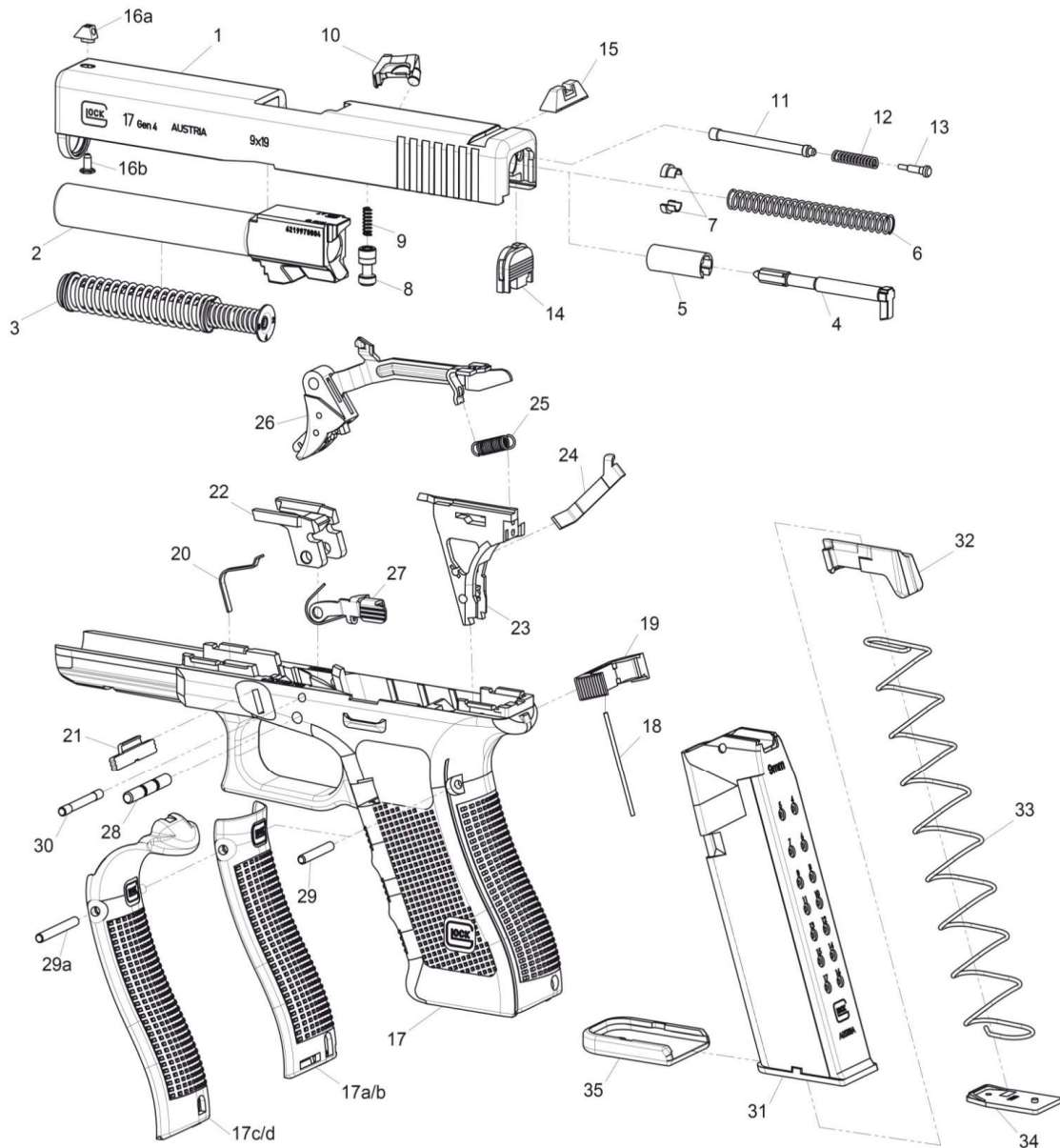


# GLOCK Price List Spare Parts



www.glock.com

## SPARE PARTS FOR GEN4 PISTOLS Exploded drawing GLOCK 17 Gen4



Above part numbers are also applicable to any other pistol model.

## Spareparts GLOCK 17 / 17C Gen4

Pos.		
Nr.	Item No..	Description
1	7955	Slide G17 Gen4
	8755	Slide G17 Gen4 assembled
	33350	Slide G17C Gen4
2	3535	Barrel G17
	6557	Barrel G17 with thread M13,5x1 left
	1740	Barrel G17C
3	8284	Recoil spring 02 assembled
4-7	42	Firing pin assembled
4	49	Firing pin
5	56	Spacer sleeve
6	63	Firing pin spring 24N (silver)
7	70	Spring cups
	1148	Firing pin channel liner
8+9	77	Firing pin safety assembled
8	84	Firing pin safety
9	91	Firing pin safety spring
10	1895	Extractor (Loaded Chamber Indicator)
11-13	3449	Extractor depressor plunger assembled (Loaded Chamber Ind.)
11	112	Extractor depressor plunger
12	33522	Extractor depressor plunger spring
13	2714	Spring-loaded bearing (Loaded Chamber Indicator)
14	133	Slide cover plate
15	154	Rear sight 6,1 polymer
	7419	Rear sight adjustable G17C Gen4 polymer
16	7073	Front sight 4.1 set polymer
17	7500	Frame G17 Gen4 assembled (FG/R), including beavertail set *)
17 a-d	30818	Beavertail set **)
18	39543	Magazine catch spring
19	7534	Magazine catch reversible
20	5446	Slide lock spring
21	301	Slide lock
22	1447	Locking block
23	30275	Trigger mechanism housing with ejector Gen4
24	343	Connector 1 (2,5 kg)
25	350	Trigger spring
26	3608	Trigger with trigger bar
27	2919	Slide stop lever
28	420	Trigger pin
29	1774	Trigger housing pin SF
29a	7416	Trigger housing pin MBS
30	4368	Locking block pin
31-35	1077	Magazine assembled
31	1587	Magazine tube
32	1812	Follower
33	33510	Magazine spring
34	1693	Magazine insert
35	3206	Magazine floor plate

**\*) Not compatible with previous models**

**\*\*)** Beavertail set consisting of:  
back strap size M, back strap size L,  
beavertail back strap size M, beavertail back strap size L  
trigger housing pin MBS, disassembly tool MBS, information sheet

## Spareparts GLOCK 19 / 19C Gen4

Pos.		
Nr.	Item No..	Description
1	8736	Slide G19 Gen4
	8757	Slide G19 Gen4 assembled
	33351	Slide G19C Gen4
2	6990	Barrel G19
	6561	Barrel G19 with thread M13,5x1 left
	7011	Barrel G19C
3	8703	Recoil spring 04 assembled
4-7	42	Firing pin assembled
4	49	Firing pin
5	56	Spacer sleeve
6	63	Firing pin spring 24N (silver)
7	70	Spring cups
	1148	Firing pin channel liner
8+9	77	Firing pin safety assembled
8	84	Firing pin safety
9	91	Firing pin safety spring
10	1895	Extractor (Loaded Chamber Indicator)
11-13	3449	Extractor depressor plunger assembled (Loaded Chamber Ind.)
11	112	Extractor depressor plunger
12	33522	Extractor depressor plunger spring
13	2714	Spring-loaded bearing (Loaded Chamber Indicator)
14	133	Slide cover plate
15	154	Rear sight 6,1 polymer
	7419	Rear sight adjustable G19C Gen4 polymer
16	7073	Front sight 4.1 set polymer
17	7936	Frame G19 Gen4 assembled (FG/R), including beavertail set *)
17 a-d	30820	Beavertail set **)
18	39543	Magazine catch spring
19	7534	Magazine catch reversible
20	8073	Slide lock spring
21	301	Slide lock
22	7894	Locking block
23	30275	Trigger mechanism housing with ejector Gen4
24	343	Connector 1 (2,5 kg)
25	350	Trigger spring
26	4497	Trigger with trigger bar
27	2919	Slide stop lever
28	420	Trigger pin
29	1774	Trigger housing pin SF
29a	7416	Trigger housing pin MBS
30	4368	Locking block pin
31-35	1084	Magazine assembled
31	1594	Magazine tube
32	1812	Follower
33	33509	Magazine spring
34	1693	Magazine insert
35	3206	Magazine floor plate

**\*) Not compatible with previous models**

**\*\*)** Beavertail set consisting of:  
back strap size M, back strap size L,  
beavertail back strap size M, beavertail back strap size L  
trigger housing pin MBS, disassembly tool MBS, information sheet

## Spareparts GLOCK 26 Gen4

Pos.		
Nr.	Item No..	Description
1	8648	Slide G26 Gen4
	8759	Slide G26 Gen4 assembled
2	6005	Barrel G26
3	2211	Recoil spring 08 assembled
4-7	42	Firing pin assembled
4	49	Firing pin
5	56	Spacer sleeve
6	63	Firing pin spring 24N (silver)
7	70	Spring cups
	1148	Firing pin channel liner
8+9	77	Firing pin safety assembled
8	84	Firing pin safety
9	91	Firing pin safety spring
10	1895	Extractor (Loaded Chamber Indicator)
11-13	3449	Extractor depressor plunger assembled (Loaded Chamber Ind.)
11	112	Extractor depressor plunger
12	33522	Extractor depressor plunger spring
13	2714	Spring-loaded bearing (Loaded Chamber Indicator)
14	133	Slide cover plate
15	154	Rear sight 6,1 polymer
16	7073	Front sight 4.1 set polymer
17	8654	Frame G26 Gen4 assembled (FG), including beavertail set *)
17 a-d	30821	Beavertail set **)
18	39543	Magazine catch spring
19	7534	Magazine catch reversible
20	5837	Slide lock spring
21	301	Slide lock
22	6355	Locking block
	30234	Locking block 03
23	30275	Trigger mechanism housing with ejector Gen4
24	343	Connector 1 (2,5 kg)
25	350	Trigger spring
26	4497	Trigger with trigger bar
27	2919	Slide stop lever
28	420	Trigger pin
29	1774	Trigger housing pin SF
29a	7416	Trigger housing pin MBS
30	4368	Locking block pin
31-35	6572	Magazine assembled
31	6558	Magazine tube
32	1812	Follower
33	33509	Magazine spring
34	1693	Magazine insert
35	3206	Magazine floor plate

**\*) Not compatible with previous models**

**\*\*)** Beavertail set consisting of:  
back strap size M, back strap size L,  
beavertail back strap size M, beavertail back strap size L  
trigger housing pin MBS, disassembly tool MBS, information sheet

## Spareparts GLOCK 34 Gen4 & GLOCK 34 Gen4/MOS

Pos.		
Nr.	Item No..	Description
1	8865	Slide G34 Gen4
	8867	Slide G34 Gen4 assembled
	42777	Slide G34 Gen4 MOS assembled set (including MOS adapter set 01)
2	7179	Barrel G34
3	8284	Recoil spring 02 assembled
4-7	42	Firing pin assembled
4	49	Firing pin
5	56	Spacer sleeve
6	63	Firing pin spring 24N (silver)
7	70	Spring cups
	1148	Firing pin channel liner
8+9	77	Firing pin safety assembled
8	84	Firing pin safety
9	91	Firing pin safety spring
10	1895	Extractor (Loaded Chamber Indicator)
11-13	3449	Extractor depressor plunger assembled (Loaded Chamber Ind.)
11	112	Extractor depressor plunger
12	33522	Extractor depressor plunger spring
13	2714	Spring-loaded bearing (Loaded Chamber Indicator)
14	133	Slide cover plate
15	7419	Rear sight adjustable (for G34 Gen4) polymer
15	154	Rear sight 6,1 polymer (for G34 Gen4/MOS)
16	33336	Front sight 4.9 set plymer
17	8827	Frame G34 Gen4 assembled (FG/R), including beavertail set *)
17 a-d	30818	Beavertail set **)
18	39543	Magazine catch spring
19	7534	Magazine catch reversible
20	5446	Slide lock spring
21	301	Slide lock
22	1447	Locking block
23	30275	Trigger mechanism housing with ejector Gen4
24	721	Connector 2 (2 kg)
25	350	Trigger spring
26	3608	Trigger with trigger bar
27	7496	Slide stop lever extended
28	420	Trigger pin
29	1774	Trigger housing pin SF
29a	7416	Trigger housing pin MBS
30	4368	Locking block pin
31-35	1077	Magazine assembled
31	1587	Magazine tube
32	1812	Follower
33	33510	Magazine spring
34	1693	Magazine insert
35	3206	Magazine floor plate

**\*) Not compatible with previous models**

**\*\*)** Beavertail set consisting of:  
back strap size M, back strap size L,  
beavertail back strap size M, beavertail back strap size L  
trigger housing pin MBS, disassembly tool MBS, information sheet

## Spareparts GLOCK 35 Gen4 & GLOCK 35 Gen4/MOS

Pos.		
Nr.	Item No..	Description
1	8738	Slide G35 Gen4
	8869	Slide G35 Gen4 assembled
	42778	Slide G35 Gen4/MOS assembled set (including MOS adapert set 01)
2	7193	Barrel G35
3	7577	Recoil spring 01 assembled
4-7	4277	Firing pin assembled
4	4270	Firing pin
5	56	Spacer sleeve
6	63	Firing pin spring 24N (silver)
7	70	Spring cups
	1148	Firing pin channel liner
8+9	77	Firing pin safety assembled
8	84	Firing pin safety
9	91	Firing pin safety spring
10	1899	Extractor (Loaded Chamber Indicator)
11-13	3453	Extractor depressor plunger assembled (Loaded Chamber Ind.)
11	112	Extractor depressor plunger
12	33522	Extractor depressor plunger spring
13	3439	Spring-loaded bearing (Loaded Chamber Indicator)
14	133	Slide cover plate
15	7419	Rear sight adjustable (for G35 Gen4) polymer
15	182	Rear sight 6,5 polymer (for G35 Gen4/MOS)
16	33366	Front sight 4.9 set polymer
17	8829	Frame G35 Gen4 assembled (FG/R), including beavertail set *)
17 a-d	30818	Beavertail set **)
18	39543	Magazine catch spring
19	7534	Magazine catch reversible
20	5446	Slide lock spring
21	301	Slide lock
22	1447	Locking block
23	28927	Trigger mechanism housing with ejector SF
24	721	Connector 2 (2 kg)
25	350	Trigger spring
26	3608	Trigger with trigger bar
27	7496	Slide stop lever extended
28	420	Trigger pin
29	1774	Trigger housing pin SF
29a	7416	Trigger housing pin MBS
30	4368	Locking block pin
31-35	2884	Magazine assembled
31	1633	Magazine tube
32	1028	Follower
33	33601	Magazine spring
34	5166	Magazine insert
35	3206	Magazine floor plate

**\*) Not compatible with previous models**

**\*\*)** Beavertail set consisting of:  
back strap size M, back strap size L,  
beavertail back strap size M, beavertail back strap size L  
trigger housing pin MBS, disassembly tool MBS, information sheet

## Spareparts GLOCK 20 Gen4

Pos.		
Nr.	Item No..	Description
1	33260	Slide G20 Gen4
2	5327	Barrel G20
3	30077	Recoil spring 07 assembled
4-7	4564	Firing pin assembled
4	4557	Firing pin
5	56	Spacer sleeve
6	63	Firing pin spring 24N (silver)
7	70	Spring cups
	1148	Firing pin channel liner
8+9	77	Firing pin safety assembled
8	84	Firing pin safety
9	91	Firing pin safety spring
10	1909	Extractor (Loaded Chamber Indicator)
11-13	3460	Extractor depressor plunger assembled (Loaded Chamber Ind.)
11	5243	Extractor depressor plunger
12	33522	Extractor depressor plunger spring
13	3442	Spring-loaded bearing (Loaded Chamber Indicator)
14	133	Slide cover plate
15	182	Rear sight 6,5 polymer
16	7073	Front sight 4.1 set polymer
17	30091	Frame G20 Gen4 assembled (FG/R), including beavertail set *)
17 a-d	30819	Beavertail set **)
18	39543	Magazine catch spring
19	8795	Magazine catch reversible
20	5446	Slide lock spring
21	301	Slide lock
22	1447	Locking block
23	5406	Trigger mechanism housing with ejector SF
24	343	Connector 1 (2,5 kg)
25	350	Trigger spring
26	4417	Trigger with trigger bar
27	5423	Slide stop lever
28	420	Trigger pin
29	1774	Trigger housing pin SF
29a	7416	Trigger housing pin MBS
30	4368	Locking block pin
31-35	1091	Magazine assembled
31	1622	Magazine tube
32	3948	Follower
33	33510	Magazine spring
34	6831	Magazine insert
35	3941	Magazine floor plate

**\*) Not compatible with previous models**

**\*\*)** Beavertail set consisting of:

back strap size M, back strap size L,  
beavertail back strap size M, beavertail back strap size L  
trigger housing pin MBS, disassembly tool MBS, information sheet

## Spareparts GLOCK 29 Gen4

Pos.		
Nr.	Item No..	Description
1	41024	Slide G29 Gen4
2	8616	Barrel G29
3	8063	Recoil spring 09 assembled
4-7	4564	Firing pin assembled
4	4557	Firing pin
5	56	Spacer sleeve
6	63	Firing pin spring 24N (silver)
7	70	Spring cups
	1148	Firing pin channel liner
8+9	77	Firing pin safety assembled
8	84	Firing pin safety
9	91	Firing pin safety spring
10	1909	Extractor (Loaded Chamber Indicator)
11-13	3460	Extractor depressor plunger assembled (Loaded Chamber Ind.)
11	5243	Extractor depressor plunger
12	33522	Extractor depressor plunger spring
13	3442	Spring-loaded bearing (Loaded Chamber Indicator)
14	133	Slide cover plate
15	154	Rear sight 6,1 polymer
16	7073	Front sight 4.1 set polymer
17	33330	Frame G29 Gen4 assembled (FG/R), including beavertail set *)
17 a-d	30822	Beavertail set **)
18	39543	Magazine catch spring
19	8795	Magazine catch reversible
20	5837	Slide lock spring
21	301	Slide lock
22	30756	Locking block
23	5406	Trigger mechanism housing with ejector SF
24	343	Connector 1 (2,5 kg)
25	350	Trigger spring
26	1194	Trigger with trigger bar
27	5423	Slide stop lever
28	420	Trigger pin
29	1774	Trigger housing pin SF
29a	7416	Trigger housing pin MBS
30	4368	Locking block pin
31-35	8119	Magazine assembled
31	8098	Magazine tube
32	3948	Follower
33	33509	Magazine spring
34	6831	Magazine insert
35	3941	Magazine floor plate

**\*) Not compatible with previous models**

\*\*\*) Beavertail set consisting of:  
back strap size M, back strap size L,  
beavertail back strap size M, beavertail back strap size L  
trigger housing pin MBS, disassembly tool MBS, information sheet



## Spareparts GLOCK 40 Gen4/MOS

Pos.		
Nr.	Item No..	Description
1	42779	Slide G40 Gen4/MOS assembled set (including MOS adapter set 02)
1 a-d	33736	MOS adapter set 02
2	37944	Barrel G40
3	30077	Recoil spring 07 assembled
4-7	4564	Firing pin assembled
4	4557	Firing pin
5	56	Spacer sleeve
6	63	Firing pin spring 24N (silver)
7	70	Spring cups
	1148	Firing pin channel liner
8+9	77	Firing pin safety assembled
8	84	Firing pin safety
9	91	Firing pin safety spring
10	1909	Extractor (Loaded Chamber Indicator)
11-13	3460	Extractor depressor plunger assembled (Loaded Chamber Ind.)
11	5243	Extractor depressor plunger
12	33522	Extractor depressor plunger spring
13	3442	Spring-loaded bearing (Loaded Chamber Indicator)
14	133	Slide cover plate
15	154	Rear sight 6,1 polymer
16	7073	Front sight 4.1 set polymer
17 a-d	30819	Beavertail set **)
18	39543	Magazine catch spring
19	8795	Magazine catch reversible
20	5446	Slide lock spring
21	301	Slide lock
22	1447	Locking block
23	5406	Trigger mechanism housing with ejector SF
24	721	Connector 2 (2,0 kg)
25	350	Trigger spring
26	4417	Trigger with trigger bar
27	5423	Slide stop lever
28	420	Trigger pin
29	1774	Trigger housing pin SF
29a	7416	Trigger housing pin MBS
30	4368	Locking block pin
31-35	1091	Magazine assembled
31	1622	Magazine tube
32	3948	Follower
33	33510	Magazine spring
34	6831	Magazine insert
35	3941	Magazine floor plate

\*\*) Beavertail set consisting of:  
back strap size M, back strap size L,  
beavertail back strap size M, beavertail back strap size L  
trigger housing pin MBS, disassembly tool MBS, information sheet

## Spareparts GLOCK 21 / 21C Gen4

Pos.		
Nr.	Item No..	Description
1	30338	Slide G21 Gen4
	33352	Slide G21C Gen4
2	5334	Barrel G21
	41033	Barrel G21 with thread M16x1 left
	2055	Barrel G21C
3	30077	Recoil spring 07 assembled
4-7	4564	Firing pin assembled
4	4557	Firing pin
5	56	Spacer sleeve
6	63	Firing pin spring 24N (silver)
7	70	Spring cups
	1148	Firing pin channel liner
8+9	4543	Firing pin safety assembled
8	4536	Firing pin safety
9	91	Firing pin safety spring
10	1902	Extractor (Loaded Chamber Indicator)
11-13	3460	Extractor depressor plunger assembled (Loaded Chamber Ind.)
11	5243	Extractor depressor plunger
12	33522	Extractor depressor plunger spring
13	3442	Spring-loaded bearing (Loaded Chamber Indicator)
14	133	Slide cover plate
15	182	Rear sight 6,5 polymer
	7419	Rear sight adjustable G21C polymer
16	7073	Front sight 4.1 set polymer
17	30091	Frame G21 Gen4 assembled (FG/R), including beavertail set *)
17 a-d	30819	Beavertail set **)
18	39543	Magazine catch spring
19	8795	Magazine catch reversible
20	5446	Slide lock spring
21	301	Slide lock
22	1447	Locking block
23	5406	Trigger mechanism housing with ejector SF
24	343	Connector 1 (2,5 kg)
25	350	Trigger spring
26	4417	Trigger with trigger bar
27	5423	Slide stop lever
28	420	Trigger pin
29	1774	Trigger housing pin SF
29a	7416	Trigger housing pin MBS
30	4368	Locking block pin
31-35	1098	Magazine assembled
31	1629	Magazine tube
32	1304	Follower
33	1300	Magazine spring
34	5397	Magazine insert
35	3941	Magazine floor plate

\*) Not compatible with previous models

\*\*) Beavertail set consisting of:  
back strap size M, back strap size L,  
beavertail back strap size M, beavertail back strap size L  
trigger housing pin MBS, disassembly tool MBS, information sheet

## Spareparts GLOCK 30 Gen4

Pos.		
Nr.	Item No..	Description
2	8630	Barrel G30
3	8063	Recoil spring 09 assembled
4-7	4564	Firing pin assembled
4	4557	Firing pin
5	56	Spacer sleeve
6	63	Firing pin spring 24N (silver)
7	70	Spring cups
	1148	Firing pin channel liner
8+9	4543	Firing pin safety assembled
8	4536	Firing pin safety
9	91	Firing pin safety spring
10	1902	Extractor (Loaded Chamber Indicator)
11-13	3460	Extractor depressor plunger assembled (Loaded Chamber Ind.)
11	5243	Extractor depressor plunger
12	33522	Extractor depressor plunger spring
13	3442	Spring-loaded bearing (Loaded Chamber Indicator)
14	133	Slide cover plate
15	182	Rear sight 6,5 polymer
16	7073	Front sight 4.1 set polymer
17	33330	Frame G30 Gen4 assembled (FG/R), including beavertail set *)
17 a-d	30822	Beavertail set **)
18	39543	Magazine catch spring
19	8795	Magazine catch reversible
20	5837	Slide lock spring
21	301	Slide lock
22	30756	Locking block
23	5406	Trigger mechanism housing with ejector SF
24	343	Connector 1 (2,5 kg)
25	350	Trigger spring
26	1194	Trigger with trigger bar
27	5423	Slide stop lever
28	420	Trigger pin
29	1774	Trigger housing pin SF
29a	7416	Trigger housing pin MBS
30	4368	Locking block pin
31-35	8805	Magazine assembled
31	8105	Magazine tube
32	1304	Follower
33	3552	Magazine spring
34	5397	Magazine insert
35	8189	Magazine floor plate

**\*) Not compatible with previous models**

**\*\*)** Beavertail set consisting of:

back strap size M, back strap size L,  
beavertail back strap size M, beavertail back strap size L  
trigger housing pin MBS, disassembly tool MBS, information sheet

## Spareparts GLOCK 41 Gen4 & GLOCK 41 Gen4/MOS

Pos.		
Nr.	Item No..	Description
1	33353	Slide G41 Gen4
	42780	Slide G41 Gen4 MOS assembled set (including MOS adapter set 01)
2	33357	Barrel G41 Gen4
3	30077	Recoil spring 07 assembled
4-7	4564	Firing pin assembled
4	4557	Firing pin
5	56	Spacer sleeve
6	63	Firing pin spring 24N (silver)
7	70	Spring cups
	1148	Firing pin channel liner
8+9	4543	Firing pin safety assembled
8	4536	Firing pin safety
9	91	Firing pin safety spring
10	1906	Extractor (Loaded Chamber Indicator)
11-13	3460	Extractor depressor plunger assembled (Loaded Chamber Ind.)
11	5243	Extractor depressor plunger
12	33522	Extractor depressor plunger spring
13	3442	Spring-loaded bearing (Loaded Chamber Indicator)
14	133	Slide cover plate
15	154	Rear sight 6,1 polymer
16	7073	Front sight 4.1 polymer
17	33361	Frame G41 Gen4 assembled (FG/R), including beavertail set *)
17 a-d	30819	Beavertail set **)
18	39543	Magazine catch spring
19	8795	Magazine catch reversible
20	5446	Slide lock spring
21	301	Slide lock
22	1447	Locking block
23	5406	Trigger mechanism housing with ejector SF
24	721	Connector 2 (2 kg)
25	350	Trigger spring
26	4417	Trigger with trigger bar
27	30793	Slide stop lever
28	420	Trigger pin
29	1774	Trigger housing pin SF
29a	7416	Trigger housing pin MBS
30	4368	Locking block pin
31-35	1098	Magazine assembled
31	1629	Magazine tube
32	1304	Follower
33	1300	Magazine spring
34	5397	Magazine insert
35	3941	Magazine floor plate

**\*) Not compatible with previous models**

**\*\*)** Beavertail set consisting of:  
back strap size M, back strap size L,  
beavertail back strap size M, beavertail back strap size L  
trigger housing pin MBS, disassembly tool MBS, information sheet

## Spareparts GLOCK 31 / G31C Gen4

Pos.		
Nr.	Item No..	Description
1	8741	Slide G31 Gen4
2	8644	Barrel G31
3	7577	Recoil spring 01 assembled
4-7	4277	Firing pin assembled
4	4270	Firing pin
5	56	Spacer sleeve
6	63	Firing pin spring 24N (silver)
7	70	Spring cups
	1148	Firing pin channel liner
8+9	77	Firing pin safety assembled
8	84	Firing pin safety
9	91	Firing pin safety spring
10	1899	Extractor (Loaded Chamber Indicator)
11-13	3453	Extractor depressor plunger assembled (Loaded Chamber Ind.)
11	112	Extractor depressor plunger
12	33522	Extractor depressor plunger spring
13	3439	Spring-loaded bearing (Loaded Chamber Indicator)
14	133	Slide cover plate
15	182	Rear sight 6,5 polymer
	7419	Rear sight adjustable G31C Gen4 polymer
16	7073	Front sight 4.1 set polymer
17 a-d	30818	Beavertail set **)
18	39543	Magazine catch spring
19	7534	Magazine catch reversible
20	5446	Slide lock spring
21	301	Slide lock
22	1447	Locking block
23	30561	Trigger mechanism housing with ejector Gen4
24	343	Connector 1 (2,5 kg)
25	350	Trigger spring
26	3608	Trigger with trigger bar
27	2919	Slide stop lever
28	420	Trigger pin
29	1774	Trigger housing pin SF
29a	7416	Trigger housing pin MBS
30	4368	Locking block pin
31-35	1656	Magazine assembled
31	4363	Magazine tube
32	1593	Follower
33	33601	Magazine spring
34	5166	Magazine insert
35	3206	Magazine floor plate

**\*) Not compatible with previous models**

**\*\*) Beavertail set consisting of:**  
back strap size M, back strap size L,  
beavertail back strap size M, beavertail back strap size L  
trigger housing pin MBS, disassembly tool MBS, information sheet

## Spareparts GLOCK 32 Gen4

Pos.		
Nr.	Item No..	Description
1	33298	Slide G32 Gen4
2	8658	Barrel G32
3	7815	Recoil spring 03 assembled
4-7	4277	Firing pin assembled
4	4270	Firing pin
5	56	Spacer sleeve
6	63	Firing pin spring 24N (silver)
7	70	Spring cups
	1148	Firing pin channel liner
8+9	77	Firing pin safety assembled
8	84	Firing pin safety
9	91	Firing pin safety spring
10	1899	Extractor (Loaded Chamber Indicator)
11-13	3453	Extractor depressor plunger assembled (Loaded Chamber Ind.)
11	112	Extractor depressor plunger
12	33522	Extractor depressor plunger spring
13	3439	Spring-loaded bearing (Loaded Chamber Indicator)
14	133	Slide cover plate
15	182	Rear sight 6,5 polymer
16	7073	Front sight 4.1 set polymer
17 a-d	30820	Beavertail set **)
18	39543	Magazine catch spring
19	7534	Magazine catch reversible
20	8073	Slide lock spring
21	301	Slide lock
22	7894	Locking block
23	30561	Trigger mechanism housing with ejector Gen4
24	343	Connector 1 (2,5 kg)
25	350	Trigger spring
26	4497	Trigger with trigger bar
27	2919	Slide stop lever
28	420	Trigger pin
29	1774	Trigger housing pin SF
29a	7416	Trigger housing pin MBS
30	4368	Locking block pin
31-35	1677	Magazine assembled
31	4364	Magazine tube
32	1593	Follower
33	33509	Magazine spring
34	5166	Magazine insert
35	3206	Magazine floor plate

**\*) Not compatible with previous models**

**\*\*)** Beavertail set consisting of:

back strap size M, back strap size L,  
beavertail back strap size M, beavertail back strap size L  
trigger housing pin MBS, disassembly tool MBS, information sheet

## Spareparts GLOCK 33 Gen4

Pos.		
Nr.	Item No..	Description
1	33355	Slide G33 Gen4
2	8672	Barrel G33
3	2211	Recoil spring 08 assembled
4-7	4277	Firing pin assembled
4	4270	Firing pin
5	56	Spacer sleeve
6	63	Firing pin spring 24N (silver)
7	70	Spring cups
	1148	Firing pin channel liner
8+9	77	Firing pin safety assembled
8	84	Firing pin safety
9	91	Firing pin safety spring
10	1899	Extractor (Loaded Chamber Indicator)
11-13	3453	Extractor depressor plunger assembled (Loaded Chamber Ind.)
11	112	Extractor depressor plunger
12	33522	Extractor depressor plunger spring
13	3439	Spring-loaded bearing (Loaded Chamber Indicator)
14	133	Slide cover plate
15	182	Rear sight 6,5 polymer
16	7073	Front sight 4.1 set polymer
17	8655	Frame G33 Gen4 assembled (FG), including beavertail set *)
17 a-d	30821	Beavertail set **)
18	39543	Magazine catch spring
19	7534	Magazine catch reversible
20	5837	Slide lock spring
21	301	Slide lock
22	30234	Locking block
23	30561	Trigger mechanism housing with ejector Gen4
24	343	Connector 1 (2,5 kg)
25	350	Trigger spring
26	4497	Trigger with trigger bar
27	2919	Slide stop lever
28	420	Trigger pin
29	1774	Trigger housing pin SF
29a	7416	Trigger housing pin MBS
30	4368	Locking block pin
31-35	1691	Magazine assembled
31	1642	Magazine tube
32	1593	Follower
33	33509	Magazine spring
34	5166	Magazine insert
35	3206	Magazine floor plate

**\*) Not compatible with previous models**

**\*\*)** Beavertail set consisting of:  
back strap size M, back strap size L,  
beavertail back strap size M, beavertail back strap size L  
trigger housing pin MBS, disassembly tool MBS, information sheet