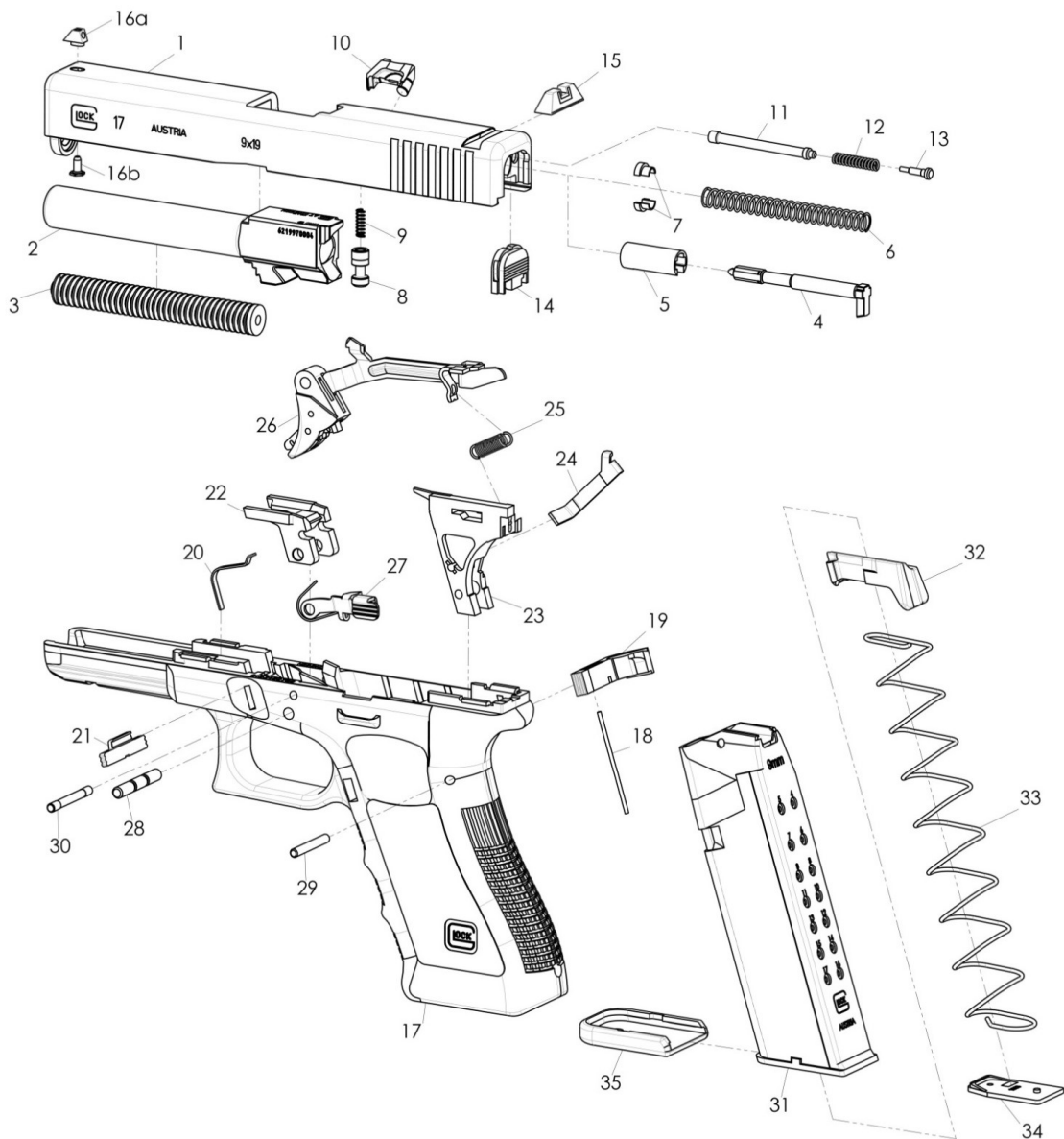


GLOCK Price List Spare Parts



www.glock.com

SPARE PARTS FOR PREVIOUS PISTOLS Exploded drawing GLOCK 17



Above part numbers are also applicable to any other pistol model.

Spareparts GLOCK 17

Pos.		
Nr.	Item No..	Description
1	6075	Slide G17
	7677	Slide G17 assembled
2	3535	Barrel G17
	6557	Barrel G17 with thread M13,5x1 left
3	1533	Recoil spring assembled
4-7	42	Firing pin assembled
4	49	Firing pin
5	56	Spacer sleeve
6	63	Firing pin spring 24N (silver)
7	70	Spring cups
	1148	Firing pin channel liner
8+9	77	Firing pin safety assembled
8	84	Firing pin safety
9	91	Firing pin safety spring
10	1895	Extractor (Loaded Chamber Indicator)
11-13	3449	Extractor depressor plunger assembled (Loaded Chamber Ind.)
11	112	Extractor depressor plunger
12	33522	Extractor depressor plunger spring
13	2714	Spring-loaded bearing (Loaded Chamber Indicator)
14	133	Slide cover plate
15	154	Rear sight 6,1 polymer
16	7073	Front sight 4.1 set polymer
17	3558	Frame G17 (FG/R)
	3615	Frame G17 assembled (FG/R)
	2599	Frame G17 assembled (FG/R/LK)
	4216	Frame G17 assembled (FG/R) OD green
18	39543	Magazine catch spring
19	287	Magazine catch
20	5446	Slide lock spring G17
21	301	Slide lock
22	1447	Locking block
23-26	315	Trigger assembled
23	322	Trigger mechanism housing with ejector
24	343	Connector 1 (2,5 kg)
25	350	Trigger spring
26	357	Trigger with trigger bar
27	2919	Slide stop lever
28	420	Trigger pin
29	427	Trigger housing pin
30	4368	Locking block pin
31-35	1077	Magazine assembled
31	1587	Magazine tube
32	1812	Follower
33	33510	Magazine spring
34	1693	Magazine insert
35	3206	Magazine floor plate

Spareparts GLOCK 17L / 34

Pos.		
Nr.	Item No..	Description
1	6096	Slide G17L
	7207	Slide G34
	7684	Slide G34 assembled
2	3626	Barrel G17L
	7179	Barrel G34
3	1533	Recoil spring assembled
4-7	42	Firing pin assembled
4	49	Firing pin
5	56	Spacer sleeve
6	63	Firing pin spring 24N (silver)
7	70	Spring cups
	1148	Firing pin channel liner
8+9	77	Firing pin safety assembled
8	84	Firing pin safety
9	91	Firing pin safety spring
10	1895	Extractor (Loaded Chamber Indicator)
11-13	3449	Extractor depressor plunger assembled (Loaded Chamber Ind.)
11	112	Extractor depressor plunger
12	33522	Extractor depressor plunger spring
13	2714	Spring-loaded bearing (Loaded Chamber Indicator)
14	133	Slide cover plate
15	154	Rear sight 6,1 G17L polymer
	7419	Rear sight adjustable G34 polymer
16	7073	Front sight 4.1 set G17L polymer
	33366	Front sight 4.9 set G34 polymer
17	3558	Frame G17L/G34 (FG/R)
	3629	Frame G17L/G34 assembled (FG/R)
	7397	Frame G17L assembled (FG/R/LK)
18	29543	Magazine catch spring
19	1981	Magazine catch extended
20	5446	Slide lock spring
21	301	Slide lock
22	1447	Locking block
23	322	Trigger mechanism housing with ejector
24	721	Connector 2 (2,0 kg)
25	350	Trigger spring
26	357	Trigger with trigger bar
27	7496	Slide stop lever extended
28	420	Trigger pin
29	427	Trigger housing pin
30	4368	Locking block pin
31-35	1077	Magazine assembled
31	1587	Magazine tube
32	1812	Follower
33	33510	Magazine spring
34	1693	Magazine insert
35	3206	Magazine floor plate

Spareparts GLOCK 19

Pos.		
Nr.	Item No..	Description
1	7067	Slide G19 (VAR1)
	7681	Slide G19 (VAR1) assembled
2	6990	Barrel G19 (VAR1)
	6561	Barrel G19 with thread M13,5x1 left
3	2457	Recoil spring assembled
4-7	42	Firing pin assembled
4	49	Firing pin
5	56	Spacer sleeve
6	63	Firing pin spring 24N (silver)
7	70	Spring cups
	1148	Firing pin channel liner
8+9	77	Firing pin safety assembled
8	84	Firing pin safety
9	91	Firing pin safety spring
10	1895	Extractor (Loaded Chamber Indicator)
11-13	3449	Extractor depressor plunger assembled (Loaded Chamber Ind.)
11	112	Extractor depressor plunger
12	33522	Extractor depressor plunger spring
13	2714	Spring-loaded bearing (Loaded Chamber Indicator)
14	133	Slide cover plate
15	154	Rear sight 6,1 polymer
16	7073	Front sight 4.1 set polymer
17	4918	Frame G19 (FG/R)
	3636	Frame G19 assembled (FG/R)
	2606	Frame G19 assembled (FG/R/LK)
	4230	Frame G19 assembled (FG/R) OD green
18	39543	Magazine catch spring
19	287	Magazine catch
20	2317	Slide lock spring
21	301	Slide lock
22	7894	Locking block
23-26	2751	Trigger assembled
23	322	Trigger mechanism housing with ejector
24	343	Connector 1 (2,5 kg)
25	350	Trigger spring
26	2303	Trigger with trigger bar
27	2919	Slide stop lever
28	420	Trigger pin
29	427	Trigger housing pin
30	4368	Locking block pin
31-35	1084	Magazine assembled
31	1594	Magazine tube
32	1812	Follower
33	33509	Magazine spring
34	1693	Magazine insert
35	3206	Magazine floor plate

Spareparts GLOCK 26

Pos.		
Nr.	Item No..	Description
1	6033	Slide G26
	7682	Slide G26 assembled
2	6005	Barrel G26
	2211	Recoil spring 08 assembled
4-7	42	Firing pin assembled
4	49	Firing pin
5	56	Spacer sleeve
6	63	Firing pin spring 24N (silver)
7	70	Spring cups
	1148	Firing pin channel liner
8+9	77	Firing pin safety assembled
8	84	Firing pin safety
9	91	Firing pin safety spring
10	1895	Extractor (Loaded Chamber Indicator)
11-13	3449	Extractor depressor plunger assembled (Loaded Chamber Ind.)
11	112	Extractor depressor plunger
12	33522	Extractor depressor plunger spring
13	2714	Spring-loaded bearing (Loaded Chamber Ind.)
14	133	Slide cover plate
	154	Rear sight 6,1 polymer
16	7073	Front sight 4.1 set polymer
17	6712	Frame G26 (FG)
	6600	Frame G26 assembled (FG)
	2620	Frame G26 assembled (FG/LK)
	4405	Frame G26 assembled (FG) OD green
18	39543	Magazine catch spring
19	287	Magazine catch
20	5837	Slide lock spring
21	301	Slide lock
22	6355	Locking block
	30234	Locking block 03
23-26	2751	Trigger assembled
23	322	Trigger mechanism housing with ejector
24	343	Connector 1 (2,5 kg)
25	350	Trigger spring
26	2303	Trigger with trigger bar
27	2919	Slide stop lever
28	420	Trigger pin
29	427	Trigger housing pin
30	4368	Locking block pin
31-35	6572	Magazine assembled
31	6558	Magazine tube
32	1812	Follower
33	33509	Magazine spring
34	1693	Magazine insert
35	3206	Magazine floor plate

Spareparts GLOCK 43

Pos.		
Nr.	Item No..	Description
1	37522	Slide G43
2	37521	Barrel G43
	41021	Barrel G43 with thread M12x0,75 right
3	33379	Recoil spring 11 assembled
4-7	33372	Firing pin slim assembled
4	33373	Firing pin slim
5	56	Spacer sleeve
6	63	Firing pin spring 24N (silver)
7	70	Spring cups
8+9	33374	Firing pin safety assembled
10	33376	Extractor (Loaded Chamber Indicator)
11-13	33378	Extractor depressor plunger slim assembled (Logaded Chamber Ind.)
11	36208	Extractor depressor plunger slim
12	33237	Extractor depressor plunger spring slim
13	33231	Spring-loaded bearing (Loaded Chamber Indicator)
14	33385	Slide cover plate slim
15	33270	Rear sight 6,1 slim polymer
16	7073	Front sight 4.1 set polymer
17	33765	Frame G43 assembled
18	39543	Magazine catch spring
19	33369	Magazine catch reversible slim
20	91	Slide lock spring (= same spring as firing pin safety spring)
21	33364	Slide lock
22	33216	Locking block
23+25	33228	Trigger mechanism housing with ejector and trigger spring slim
24	33564	Connector 7 (2 kg) slim
26	33362	Trigger with trigger bar G43
27	33731	Slide stop lever
28	33365	Trigger pin
29	33218	Trigger housing pin
30	not applicable	
31-35	33387	Magazine assembled
31	33389	Magazine tube
32	33390	Follower
33	33498	Magazine spring
34	33391	Magazine insert
35	33392	Magazine floor plate
31-35	33740	Magazine assembled with extension
31	33389	Magazine tube
32	33390	Follower
33	33498	Magazine spring
34	33391	Magazine insert
35	33738	Magazine floor plate

Spareparts GLOCK 22

Pos.		
Nr.	Item No..	Description
1	6208	Slide G22
	7688	Slide G22 assembled
2	4459	Barrel G22
3	1533	Recoil spring assembled
4-7	4277	Firing pin assembled
4	4270	Firing pin
5	56	Spacer sleeve
6	63	Firing pin spring 24N (silver)
7	70	Spring cups
	1148	Firing pin channel liner
8+9	77	Firing pin safety assembled
8	84	Firing pin safety
9	91	Firing pin safety spring
10	1899	Extractor (Loaded Chamber Indicator)
11-13	3453	Extractor depressor plunger assembled (Loaded Chamber Ind.)
11	112	Extractor depressor plunger
12	33522	Extractor depressor plunger spring
13	3439	Spring-loaded bearing (Loaded Chamber Indicator)
14	133	Slide cover plate
	154	Rear sight 6,1 polymer
16	7073	Front sight 4.1 set polymer
17	3558	Frame G22 (FG/R)
	2959	Frame G22 assembled (FG/R)
	3047	Frame G22 assembled (FG/R/LK)
	4385	Frame G22 assembled (FG/R) OD green
18	39543	Magazine catch spring
19	287	Magazine catch
20	5446	Slide lock spring
21	301	Slide lock
22	1447	Locking block
23-26	4508	Trigger assembly
23	1896	Trigger mechanism housing with ejector
24	343	Connector 1 (2,5 kg)
25	350	Trigger spring
26	357	Trigger with trigger bar
27	2919	Slide stop lever
28	420	Trigger pin
29	427	Trigger housing pin
30	4368	Locking block pin
31-35	2884	Magazine assembled
31	1622	Magazine tube
32	1028	Follower
33	33601	Magazine spring
34	5166	Magazine insert
35	3206	Magazine floor plate

Spareparts GLOCK 23

Pos.		
Nr.	Item No..	Description
1	6229	Slide G23
	7689	Slide G23 assembled
2	4473	Barrel G23
3	2457	Recoil spring assembled
4-7	4277	Firing pin assembled
4	4270	Firing pin
5	56	Spacer sleeve
6	63	Firing pin spring 24N (silver)
7	70	Spring cups
	1148	Firing pin channel liner
8+9	77	Firing pin safety assembled
8	84	Firing pin safety
9	91	Firing pin safety spring
10	1899	Extractor (Loaded Chamber Indicator)
11-13	3453	Extractor depressor plunger assembled (Loaded Chamber Ind.)
11	112	Extractor depressor plunger
12	33522	Extractor depressor plunger spring
13	3439	Spring-loaded bearing (Loaded Chamber Indicator)
14	133	Slide cover plate
	154	Rear sight 6,1 polymer
16	7073	Front sight 4.1 set polymer
17	4918	Frame G23 (FG/R)
	4467	Frame G23 assembled (FG/R)
	3043	Frame G23 assembled (FG/R/LK)
	4387	Frame G23 assembled (FG/R) OD green
18	39543	Magazine catch spring
19	287	Magazine catch
20	2317	Slide lock spring
21	301	Slide lock
22	7894	Locking block
23-26	5180	Trigger assembled
23	1896	Trigger mechanism housing with ejector
24	343	Connector 1 (2,5 kg)
25	350	Trigger spring
26	2303	Trigger with trigger bar
27	2919	Slide stop lever
28	420	Trigger pin
29	427	Trigger housing pin
30	4368	Locking block pin
31-35	2807	Magazine assembled
31	1636	Magazine tube
32	1028	Follower
33	33509	Magazine spring
34	5166	Magazine insert
35	3206	Magazine floor plate

Spareparts GLOCK 24 / 35

Pos.		
Nr.	Item No..	Description
1	1959	Slide G24
	7221	Slide G35
	7695	Slide G35 assembled
2	1931	Barrel G24
	7193	Barrel G35
3	1533	Recoil spring assembled
4-7	4277	Firing pin assembled
4	4270	Firing pin
5	56	Spacer sleeve
6	63	Firing pin spring 24N (silver)
7	70	Spring cups
	1148	Firing pin channel liner
8+9	77	Firing pin safety assembled
8	84	Firing pin safety
9	91	Firing pin safety spring
10	1899	Extractor (Loaded Chamber Indicator)
11-13	3453	Extractor depressor plunger assembled (Loaded Chamber Ind.)
11	112	Extractor depressor plunger
12	33522	Extractor depressor plunger spring
13	3439	Spring-loaded bearing (Loaded Chamber Indicator)
14	133	Slide cover plate
15	182	Rear sight 6,5 G24 polymer
	7419	Rear sight adjustable G35 polymer
16	33366	Front sight 4.9 set polymer
17	3558	Frame G24/G35 (FG/R)
	3992	Frame G24/G35 assembled (FG/R)
18	39543	Magazine catch spring
19	1981	Magazine catch extended
20	5446	Slide lock spring
21	301	Slide lock
22	1447	Locking block
23-26	1903	Trigger assembled
23	1896	Trigger mechanism housing with ejector
24	721	Connector 2 (2,0 kg)
25	350	Trigger spring
26	357	Trigger with trigger bar
27	7496	Slide stop lever extended
28	420	Trigger pin
29	427	Trigger housing pin
30	4368	Locking block pin
31-35	2884	Magazine assembled
31	1622	Magazine tube
32	1028	Follower
33	33601	Magazine spring
34	5166	Magazine insert
35	3206	Magazine floor plate

Spareparts GLOCK 27

Pos.		
Nr.	Item No..	Description
1	6047	Slide G27
	7691	Slide G27 assembled
2	6019	Barrel G27
	2211	Recoil spring 08 assembled
4-7	4277	Firing pin assembled
4	4270	Firing pin
5	56	Spacer sleeve
6	63	Firing pin spring 24N (silver)
7	70	Spring cups
	1148	Firing pin channel liner
8+9	77	Firing pin safety assembled
8	84	Firing pin safety
9	91	Firing pin safety spring
10	1899	Extractor (Loaded Chamber Indicator)
11-13	3453	Extractor depressor plunger assembled (Loaded Chamber Ind.)
11	112	Extractor depressor plunger
12	33522	Extractor depressor plunger spring
13	3439	Spring-loaded bearing (Loaded Chamber Indicator)
14	133	Slide cover plate
	154	Rear sight 6,1 polymer
16	7073	Front sight 4.1 set polymer
17	6712	Frame G27 (FG)
	2293	Frame G27 assembled (FG)
	3040	Frame G27 assembled (FG/LK)
18	39543	Magazine catch spring
19	287	Magazine catch
20	5837	Slide lock spring
21	301	Slide lock
22	6355	Locking block
	30234	Locking block 03
23-26	5180	Trigger assembled
23	1896	Trigger mechanism housing with ejector
24	343	Connector 1 (2,5 kg)
25	350	Trigger spring
26	2303	Trigger with trigger bar
27	2919	Slide stop lever
28	420	Trigger pin
29	427	Trigger housing pin
30	4368	Locking block pin
31-35	6579	Magazine assembled
31	6565	Magazine tube
32	1028	Follower
33	33509	Magazine spring
34	5166	Magazine insert
35	3206	Magazine floor plate

Spareparts GLOCK 20 SF

Pos.		
Nr.	Item No..	Description
1	6166	Slide G20 SF
2	5327	Barrel G20 SF
3	5586	Recoil spring assembled
4-7	4564	Firing pin assembled
4	4557	Firing pin
5	56	Spacer sleeve
6	63	Firing pin spring 24N (silver)
7	70	Spring cups
	1148	Firing pin channel liner
8+9	77	Firing pin safety assembled
8	84	Firing pin safety
9	91	Firing pin safety spring
10	1909	Extractor (Loaded Chamber Indicator)
11-13	3460	Extractor depressor plunger assembled (Loaded Chamber Indicator)
11	5243	Extractor depressor plunger
12	33522	Extractor depressor plunger spring
13	3442	Spring-loaded bearing (Loaded Chamber Indicator)
14	133	Slide cover plate
15	182	Rear sight 6,5 polymer
16	7073	Front sight 4.1 set polymer
17	5966	Frame G20 SF assembled (FG/R)
18	39543	Magazine catch spring
19	1035	Magazine catch
20	5446	Slide lock spring
21	301	Slide lock
22	1447	Locking block
23-26	4424	Trigger assembled
23	5406	Trigger mechanism housing with ejector SF
24	343	Connector 1 (2,5 kg)
25	350	Trigger spring
26	4417	Trigger with trigger bar
27	5423	Slide stop lever
28	420	Trigger pin
29	1774	Trigger housing pin SF
30	4368	Locking block pin
31-35	1091	Magazine assembled
31	1622	Magazine tube
32	3948	Follower
33	33510	Magazine spring
34	6831	Magazine insert
35	3941	Magazine floor plate

Spareparts GLOCK 29 SF

Pos.		
Nr.	Item No..	Description
1	8511	Slide G29 SF
2	8616	Barrel G29 SF
3	8063	Recoil spring 09 assembled
4-7	4564	Firing pin assembled
4	4557	Firing pin
5	56	Spacer sleeve
6	63	Firing pin spring 24N (silver)
7	70	Spring cups
	1148	Firing pin channel liner
8+9	77	Firing pin safety assembled
8	84	Firing pin safety
9	91	Firing pin safety spring
10	1909	Extractor (Loaded Chamber Indicator)
11-13	3460	Extractor depressor plunger assembled (Loaded Chamber Ind.)
11	5243	Extractor depressor plunger
12	33522	Extractor depressor plunger spring
13	3442	Spring-loaded bearing (Loaded Chamber Indicator)
14	133	Slide cover plate
15	154	Rear sight 6,1 polymer
16	7073	Front sight 4.1 set polymer
17	7261	Frame G29 SF assembled (FG/R)
18	39543	Magazine catch spring
19	1035	Magazine catch
20	5837	Slide lock spring
21	301	Slide lock
22	7552	Locking block
	30756	Locking block 04
23-26	1908	Trigger assembled
23	5406	Trigger mechanism housing with ejector SF
24	343	Connector 1 (2,5 kg)
25	350	Trigger spring
26	1194	Trigger with trigger bar
27	5423	Slide stop lever
28	420	Trigger pin
29	1774	Trigger housing pin SF
30	4368	Locking block pin
31-35	8119	Magazine assembled
31	8098	Magazine tube
32	3948	Follower
33	33509	Magazine spring
34	6831	Magazine insert
35	3941	Magazine floor plate

Spareparts GLOCK 21 SF

Pos.		
Nr.	Item No..	Description
1	5320	Slide G21 SF
2	5334	Barrel G21 SF
3	5586	Recoil spring assembled
4-7	4564	Firing pin assembled
4	4557	Firing pin
5	56	Spacer sleeve
6	63	Firing pin spring 24N (silver)
7	70	Spring cups
	1148	Firing pin channel liner
8+9	4543	Firing pin safety assembled
8	4536	Firing pin safety
9	91	Firing pin safety spring
10	1902	Extractor (Loaded Chamber Indicator)
11-13	3460	Extractor depressor plunger assembled (Loaded Chamber Ind.)
11	5243	Extractor depressor plunger
12	33522	Extractor depressor plunger spring
13	3442	Spring-loaded bearing (Loaded Chamber Indicator)
14	133	Slide cover plate
15	182	Rear sight 6,5 polymer
16	7073	Front sight 4.1 set polymer
17	5966	Frame G21 SF assembled (FG/R)
18	39543	Magazine catch spring
19	1035	Magazine catch
20	5446	Slide lock spring
21	301	Slide lock
22	1447	Locking block
23-26	4424	Trigger assembled
23	5406	Trigger mechanism housing with ejector SF
24	343	Connector 1 (2,5 kg)
25	350	Trigger spring
26	4417	Trigger with trigger bar
27	5423	Slide stop lever
28	420	Trigger pin
29	1774	Trigger housing pin SF
30	4368	Locking block pin
31-35	1098	Magazine assembled
31	1629	Magazine tube
32	1304	Follower
33	1300	Magazine spring
34	5397	Magazine insert
35	3941	Magazine floor plate

Spareparts GLOCK 30 SF

Pos.		
Nr.	Item No..	Description
1	8525	Slide G30 SF
2	8630	Barrel G30 SF
3	8063	Recoil spring 09 assembled
4-7	4564	Firing pin assembled
4	4557	Firing pin
5	56	Spacer sleeve
6	63	Firing pin spring 24N (silver)
7	70	Spring cups
	1148	Firing pin channel liner
8+9	4543	Firing pin safety assembled
8	4536	Firing pin safety
9	91	Firing pin safety spring
10	1902	Extractor (Loaded Chamber Indicator)
11-13	3460	Extractor depressor plunger assembled (Loaded Chamber Ind.)
11	5243	Extractor depressor plunger
12	33522	Extractor depressor plunger spring
13	3442	Spring-loaded bearing (Loaded Chamber Indicator)
14	133	Slide cover plate
15	182	Rear sight 6,5 polymer
16	7073	Front sight 4.1 set polymer
17	7261	Frame G30 SF assembled (FG/R)
18	39543	Magazine catch spring
19	1035	Magazine catch
20	5837	Slide lock spring
21	301	Slide lock
22	7552	Locking block
	30756	Locking block 04
23-26	1908	Trigger assembled
23	5406	Trigger mechanism housing with ejector SF
24	343	Connector 1 (2,5 kg)
25	350	Trigger spring
26	1194	Trigger with trigger bar
27	5423	Slide stop lever
28	420	Trigger pin
29	1774	Trigger housing pin SF
30	4368	Locking block pin
31-35	8805	Magazine assembled
31	8105	Magazine tube
32	1304	Follower
33	3552	Magazine spring
34	5397	Magazine insert
35	8189	Magazine floor plate

Spareparts GLOCK 30S

Pos.		
Nr.	Item No..	Description
1	33356	Slide G30S
2	1865	Barrel G30S
3	8063	Recoil spring 09 assembled
4-7	4564	Firing pin assembled
4	4557	Firing pin
5	56	Spacer sleeve
6	63	Firing pin spring 24N (silver)
7	70	Spring cups
	1148	Firing pin channel liner
8+9	4543	Firing pin safety assembled
8	4536	Firing pin safety
9	91	Firing pin safety spring
10	1906	Extractor (Loaded Chamber Indicator)
11-13	3460	Extractor depressor plunger assembled (Loaded Chamber Ind.)
11	5243	Extractor depressor plunger
12	33522	Extractor depressor plunger spring
13	3442	Spring-loaded bearing (Loaded Chamber Indicator)
14	133	Slide cover plate
15	182	Rear sight 6,5 polymer
16	7073	Front sight 4.1 set polymer
17	33359	Frame G30S assembled (FG/R)
18	39543	Magazine catch spring
19	1035	Magazine catch
20	5837	Slide lock spring
21	301	Slide lock
22	7552	Locking block
	30756	Locking block 04
23	5406	Trigger mechanism housing with ejector SF
24	343	Connector 1 (2,5 kg)
25	350	Trigger spring
26	1194	Trigger with trigger bar
27	30793	Slide stop lever G30S
28	420	Trigger pin
29	1774	Trigger housing pin SF
30	4368	Locking block pin
31-35	8805	Magazine assembled
31	8105	Magazine tube
32	1304	Follower
33	3552	Magazine spring
34	5397	Magazine insert
35	8189	Magazine floor plate

Spareparts GLOCK 36

Pos.		
Nr.	Item No..	Description
1	1879	Slide G36
2	1865	Barrel G36
3	8063	Recoil spring 09 assembled
4-7	4564	Firing pin assembled
4	4557	Firing pin
5	56	Spacer sleeve
6	63	Firing pin spring 24N (silver)
7	70	Spring cups
	1148	Firing pin channel liner
8+9	4543	Firing pin safety assembled
8	4536	Firing pin safety
9	91	Firing pin safety spring
10	1906	Extractor (Loaded Chamber Indicator)
11-13	3460	Extractor depressor plunger assembled (Loaded Chamber Ind.)
11	5243	Extractor depressor plunger
12	33522	Extractor depressor plunger spring
13	3442	Spring-loaded bearing (Loaded Chamber Indicator)
14	133	Slide cover plate
15	196	Rear sight 6,9 polymer
16	7073	Front sight 4.1 set polymer
17	39721	Frame G36 (FG/R)
	39722	Frame G36 assembled (FG/R)
18	39543	Magazine catch spring
19	1739	Magazine catch (slim)
20	5837	Slide lock spring
21	1788	Slide lock
22	7552	Locking block
	30756	Locking block 04
23-26	2103	Trigger assembled
23	8203	Trigger mechanism housing with ejector
24	343	Connector 1 (2,5 kg)
25	350	Trigger spring
26	2096	Trigger with trigger bar
27	1802	Slide stop lever
28	1697	Trigger pin (slim)
29	1774	Trigger housing pin (slim)
30	1781	Locking block pin (slim)
31-35	1907	Magazine assembled (6 rounds)
31	1746	Magazine tube
32	1767	Follower
33	1071	Magazine spring
34	1753	Magazine insert
35	1725	Magazine floor plate

Spareparts GLOCK 37

Pos.		
Nr.	Item No..	Description
1	3881	Slide G37
2	3880	Barrel G37
3	1533	Recoil spring assembled
4-7	4277	Firing pin assembled
4	4270	Firing pin
5	56	Spacer sleeve
6	63	Firing pin spring 24N (silver)
7	70	Spring cups
	1148	Firing pin channel liner
8+9	4543	Firing pin safety assembled
8	4536	Firing pin safety
9	91	Firing pin safety spring
10	1902	Extractor (Loaded Chamber Indicator)
11-13	3453	Extractor depressor plunger assembled (Loaded Chamber Ind.)
11	112	Extractor depressor plunger
12	33522	Extractor depressor plunger spring
13	3439	Spring-loaded bearing (Loaded Chamber Indicator)
14	133	Slide cover plate
15	182	Rear sight 6,5 polymer
16	7073	Front sight 4.1 set polymer
17	3558	Frame G37 (FG/R)
	3876	Frame G37 assembled (FG/R)
18	39543	Magazine catch spring
19	287	Magazine catch
20	5446	Slide lock spring G37
21	301	Slide lock
22	1447	Locking block
23-26	4139	Trigger assembled
23	8203	Trigger mechanism housing with ejector
24	343	Connector 1 (2,5 kg)
25	350	Trigger spring
26	3608	Trigger with trigger bar
27	1034	Slide stop lever extended
28	420	Trigger pin
29	427	Trigger housing pin
30	4368	Locking block pin
31-35	3610	Magazine assembled
31	3614	Magazine tube
32	3621	Follower
33	33601	Magazine spring
34	5166	Magazine insert
35	3206	Magazine floor plate

Spareparts GLOCK 38

Pos.		
Nr.	Item No..	Description
1	5381	Slide G38
2	5378	Barrel G38
3	2457	Recoil spring assembled
4-7	4277	Firing pin assembled
4	4270	Firing pin
5	56	Spacer sleeve
6	63	Firing pin spring 24N (silver)
7	70	Spring cups
	1148	Firing pin channel liner
8+9	4543	Firing pin safety assembled
8	4536	Firing pin safety
9	91	Firing pin safety spring
10	1902	Extractor (Loaded Chamber Indicator)
11-13	3453	Extractor depressor plunger assembled (Loaded Chamber Ind.)
11	112	Extractor depressor plunger
12	33522	Extractor depressor plunger spring
13	3439	Spring-loaded bearing (Loaded Chamber Indicator)
14	133	Slide cover plate
15	182	Rear sight 6,5 polymer
16	7073	Front sight 4.1 set polymer
17	4918	Frame G38 (FG/R)
	5388	Frame G38 assembled (FG/R)
18	39543	Magazine catch spring
19	287	Magazine catch
20	2317	Slide lock spring G38
21	301	Slide lock
22	7894	Locking block
23-26	5386	Trigger assembled
23	8203	Trigger mechanism housing with ejector
24	343	Connector 1 (2,5 kg)
25	350	Trigger spring
26	4497	Trigger with trigger bar
27	1034	Slide stop lever extended
28	420	Trigger pin
29	427	Trigger housing pin
30	4368	Locking block pin
31-35	4499	Magazine assembled
31	4503	Magazine tube
32	3621	Follower
33	33509	Magazine spring
34	5166	Magazine insert
35	3206	Magazine floor plate

Spareparts GLOCK 39

Pos.		
Nr.	Item No..	Description
1	5385	Slide G39
2	5379	Barrel G39
3	2211	Recoil spring 08 assembled
4-7	4277	Firing pin assembled
4	4270	Firing pin
5	56	Spacer sleeve
6	63	Firing pin spring 24N (silver)
7	70	Spring cups
	1148	Firing pin channel liner
8+9	4543	Firing pin safety assembled
8	4536	Firing pin safety
9	91	Firing pin safety spring
10	1902	Extractor (Loaded Chamber Indicator)
11-13	3453	Extractor depressor plunger assembled (Loaded Chamber Ind.)
11	112	Extractor depressor plunger
12	33522	Extractor depressor plunger spring
13	3439	Spring-loaded bearing (Loaded Chamber Indicator)
14	133	Slide cover plate
15	182	Rear sight 6,5 polymer
16	7073	Front sight 4.1 set polymer
17	6712	Frame G39 (FG/R)
	5392	Frame G39 assembled (FG/R)
18	39543	Magazine catch spring
19	287	Magazine catch
20	5837	Slide lock spring G39
21	301	Slide lock
22	6355	Locking block
	30234	Locking block 03
23-26	5386	Trigger assembled
23	8203	Trigger mechanism housing with ejector
24	343	Connector 1 (2,5 kg)
25	350	Trigger spring
26	4497	Trigger with trigger bar
27	1034	Slide stop lever extended
28	420	Trigger pin
29	427	Trigger housing pin
30	4368	Locking block pin
31-35	4531	Magazine assembled
31	4532	Magazine tube
32	3621	Follower
33	33509	Magazine spring
34	5166	Magazine insert
35	3206	Magazine floor plate

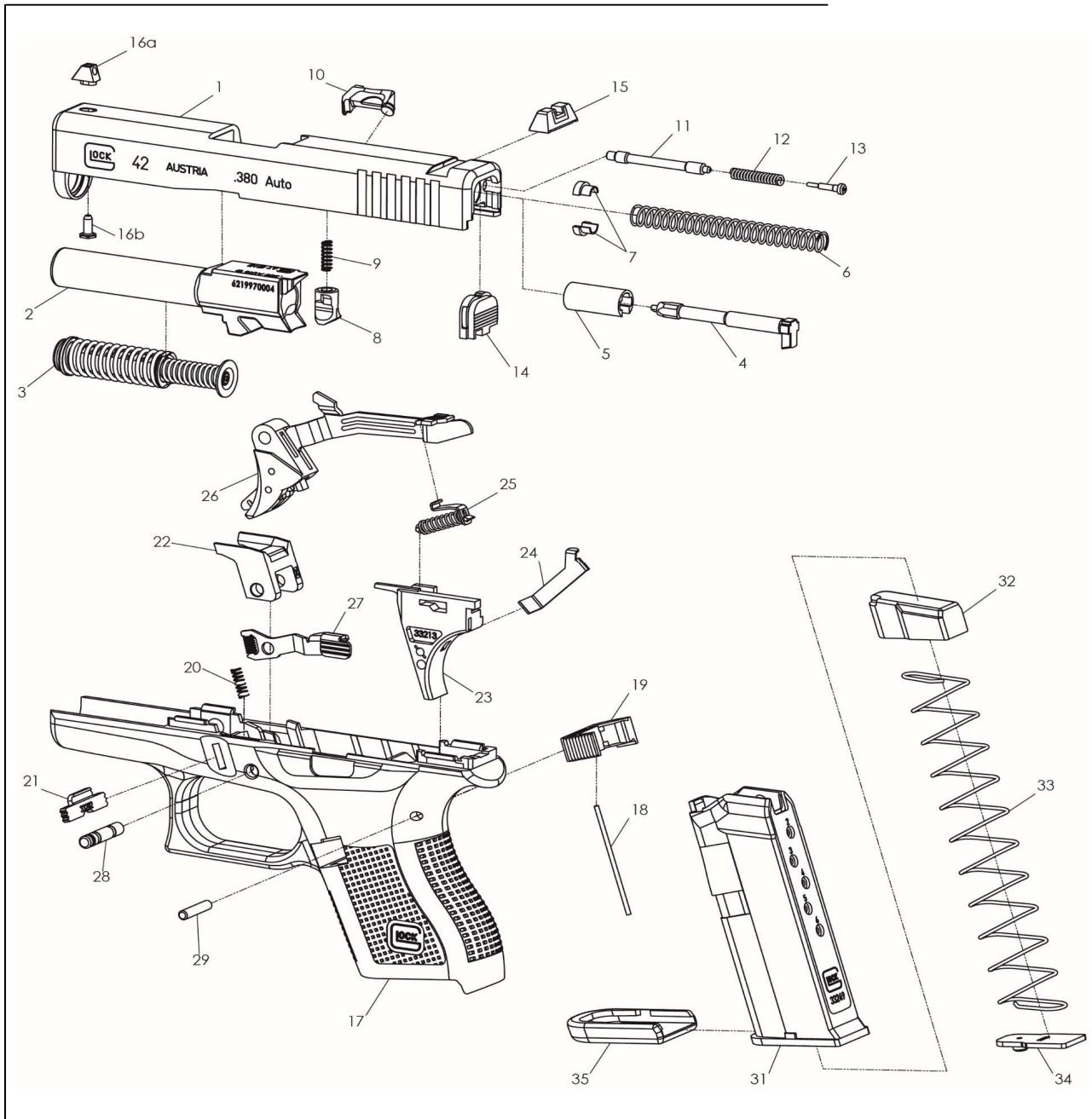
Spareparts GLOCK 25

Pos.		
Nr.	Item No..	Description
1	2092	Slide G25
2	2085	Barrel G25
3	2457	Recoil spring assembled
4-7	42	Firing pin assembled
4	49	Firing pin
5	56	Spacer sleeve
6	63	Firing pin spring 24N (silver)
7	70	Spring cups
	1148	Firing pin channel liner
8+9	77	Firing pin safety assembled
8	84	Firing pin safety
9	91	Firing pin safety spring
10	1895	Extractor (Loaded Chamber Indicator)
11-13	3449	Extractor depressor plunger assembled (Loaded Chamber Ind.)
11	112	Extractor depressor plunger
12	33522	Extractor depressor plunger spring
13	2714	Spring-loaded bearing (Loaded Chamber Indicator)
14	133	Slide cover plate
15	182	Rear sight 6,5 polymer
16	7073	Front sight 4.1 set polymer
17	4918	Frame G25 (FG/R)
	3636	Frame G25 assembled (FG/R)
	2606	Frame G25 assembled (FG/R/LK)
18	39543	Magazine catch spring
19	287	Magazine catch
20	2317	Slide lock spring
21	301	Slide lock
22	7894	Locking block
23-26	2751	Trigger assembled
23	322	Trigger mechanism housing with ejector
24	343	Connector 1 (2,5 kg)
25	350	Trigger spring
26	2303	Trigger with trigger bar
27	2919	Slide stop lever
28	420	Trigger pin
29	427	Trigger housing pin
30	4368	Locking block pin
31-35	2099	Magazine assembled
31	7484	Magazine tube
32	1672	Follower
33	1665	Magazine spring
34	1686	Magazine insert
35	3206	Magazine floor plate

Spareparts GLOCK 28

Pos.		
Nr.	Item No..	Description
1	8504	Slide G28
2	8609	Barrel G28
3	2211	Recoil spring 08 assembled
4-7	42	Firing pin assembled
4	49	Firing pin
5	56	Spacer sleeve
6	63	Firing pin spring 24N (silver)
7	70	Spring cups
	1148	Firing pin channel liner
8+9	77	Firing pin safety assembled
8	84	Firing pin safety
9	91	Firing pin safety spring
10	1895	Extractor (Loaded Chamber Indicator)
11-13	3449	Extractor depressor plunger assembled (Loaded Chamber Ind.)
11	112	Extractor depressor plunger
12	33522	Extractor depressor plunger spring
13	2714	Spring-loaded bearing (Loaded Chamber Indicator)
14	133	Slide cover plate
15	182	Rear sight 6.5 polymer
16	7073	Front sight 4.1 set polymer
17	6712	Frame G28 (FG)
	6600	Frame G28 assembled (FG)
	2620	Frame G28 assembled (FG/LK)
18	39543	Magazine catch spring
19	287	Magazine catch
20	5837	Slide lock spring
21	301	Slide lock
22	6355	Locking block
	30234	Locking block 03
23-26	2751	Trigger assembled
23	322	Trigger mechanism housing with ejector
24	343	Connector 1 (2,5 kg)
25	350	Trigger spring
26	2303	Trigger with trigger bar
27	2919	Slide stop lever
28	420	Trigger pin
29	427	Trigger housing pin
30	4368	Locking block pin
31-35	8112	Magazine assembled
31	8091	Magazine tube
32	1672	Follower
33	1665	Magazine spring
34	1686	Magazine insert
35	3206	Magazine floor plate

Exploded drawing GLOCK 42



Spareparts GLOCK 42

Pos.		
Nr.	Item No..	Description
1	33354	Slide G42
2	33358	Barrel G42
	37599	Barrel G42 with thread M12x0,75 right
3	33195	Recoil spring 10 assembled
4-7	33190	Firing pin slim assembled
4	33191	Firing pin slim
5	33192	Spacer sleeve slim
6	63	Firing pin spring 24N (silver)
7	70	Spring cups
8+9	33193	Firing pin safety assembled
10	33187	Extractor (Loaded Chamber Indicator)
11-13	33185	Extractor depressor plunger slim assembled (Logaded Chamber Ind.)
11	33186	Extractor depressor plunger slim
12	33237	Extractor depressor plunger spring slim
13	33231	Spring-loaded bearing (Loaded Chamber Indicator)
14	33188	Slide cover plate slim
15	33270	Rear sight 6,1 slim polymer
16	7073	Front sight 4.1 set polymer
17	33360	Frame G42 assembled
18	39543	Magazine catch spring
19	33204	Magazine catch reversible slim
20	91	Slide lock spring (= same spring as firing pin safety spring)
21	33202	Slide lock
22	33216	Locking block
23+25	33228	Trigger mechanism housing with ejector and trigger spring slim
24	33564	Connector 7 (2 kg) slim
26	33206	Trigger with trigger bar G42
27	33272	Slide stop lever G42
28	33217	Trigger pin
29	33218	Trigger housing pin
30	not applicable	
31-35	33221	Magazine assembled

Spareparts GLOCK 31

Pos.		
Nr.	Item No..	Description
1	8539	Slide G31
	7696	Slide G31 assembled
2	8644	Barrel G31
3	1533	Recoil spring assembled
4-7	4277	Firing pin assembled
4	4270	Firing pin
5	56	Spacer sleeve
6	63	Firing pin spring 24N (silver)
7	70	Spring cups
	1148	Firing pin channel liner
8+9	77	Firing pin safety assembled
8	84	Firing pin safety
9	91	Firing pin safety spring
10	1899	Extractor (Loaded Chamber Indicator)
11-13	3453	Extractor depressor plunger assembled (Loaded Chamber Ind.)
11	112	Extractor depressor plunger
12	33522	Extractor depressor plunger spring
13	3439	Spring-loaded bearing (Loaded Chamber Indicator)
14	133	Slide cover plate
	182	Rear sight 6,5 polymer
16	7073	Front sight 4.1 set polymer
17	3558	Frame G31 (FG/R)
	2959	Frame G31 assembled (FG/R)
	3047	Frame G31 assembled (FG/R/LK)
	4385	Frame G31 assembled (FG/R) OD green
18	39543	Magazine catch spring
19	287	Magazine catch
20	5446	Slide lock spring
21	301	Slide lock
22	1447	Locking block
23-26	4508	Trigger assembled
23	1896	Trigger mechanism housing with ejector
24	343	Connector 1 (2,5 kg)
25	350	Trigger spring
26	357	Trigger with trigger bar
27	2919	Slide stop lever
28	420	Trigger pin
29	427	Trigger housing pin
30	4368	Locking block pin
31-35	1656	Magazine assembled
31	4363	Magazine tube
32	1593	Follower
33	33601	Magazine spring
34	5166	Magazine insert
35	3206	Magazine floor plate

Spareparts GLOCK 32

Pos.		
Nr.	Item No..	Description
1	8553	Slide G32
	7698	Slide G32 assembled
2	8658	Barrel G32
3	2457	Recoil spring assembled
4-7	4277	Firing pin assembled
4	4270	Firing pin
5	56	Spacer sleeve
6	63	Firing pin spring 24N (silver)
7	70	Spring cups
	1148	Firing pin channel liner
8+9	77	Firing pin safety assembled
8	84	Firing pin safety
9	91	Firing pin safety spring
10	1899	Extractor (Loaded Chamber Indicator)
11-13	3453	Extractor depressor plunger assembled (Loaded Chamber Ind.)
11	112	Extractor depressor plunger
12	33522	Extractor depressor plunger spring
13	3439	Spring-loaded bearing (Loaded Chamber Indicator)
14	133	Slide cover plate
	196	Rear sight 6,9 polymer
16	7073	Front sight 4.1 set polymer
17	4918	Frame G32 (FG/R)
	4467	Frame G32 assembled (FG/R)
	3043	Frame G32 assembled (FG/R/LK)
	4387	Frame G32 assembled (FG/R) OD green
18	39543	Magazine catch spring
19	287	Magazine catch
20	2317	Slide lock spring
21	301	Slide lock
22	7894	Locking block
23-26	5180	Trigger assembly
23	1896	Trigger mechanism housing with ejector
24	343	Connector 1 (2,5 kg)
25	350	Trigger spring
26	2303	Trigger with trigger bar
27	2919	Slide stop lever
28	420	Trigger pin
29	427	Trigger housing pin
30	4368	Locking block pin
31-35	1677	Magazine assembled
31	4364	Magazine tube
32	1593	Follower
33	33509	Magazine spring
34	5166	Magazine insert
35	3206	Magazine floor plate

Spareparts GLOCK 33

Pos.		
Nr.	Item No..	Description
1	8567	Slide G33
	7702	Slide G33 assembled
2	8672	Barrel G33
3	2211	Recoil spring 08 assembled
4-7	4277	Firing pin assembled
4	4270	Firing pin
5	56	Spacer sleeve
6	63	Firing pin spring 24N (silver)
7	70	Spring cups
	1148	Firing pin channel liner
8+9	77	Firing pin safety assembled
8	84	Firing pin safety
9	91	Firing pin safety spring
10	1899	Extractor (Loaded Chamber Indicator)
11-13	3453	Extractor depressor plunger assembled (Loaded Chamber Ind.)
11	112	Extractor depressor plunger
12	33522	Extractor depressor plunger spring
13	3439	Spring-loaded bearing (Loaded Chamber Indicator)
14	133	Slide cover plate
	182	Rear sight 6,5 polymer
16	7073	Front sight 4.1 set polymer
17	6712	Frame G33 (FG)
	2293	Frame G33 assembled (FG)
	3040	Frame G33 assembled (FG/LK)
18	39543	Magazine catch spring
19	287	Magazine catch
20	5837	Slide lock spring
21	301	Slide lock
22	6355	Locking block
	30234	Locking block 03
23-26	5180	Trigger assembled
23	1896	Trigger mechanism housing with ejector
24	343	Connector 1 (2,5 kg)
25	350	Trigger spring
26	2303	Trigger with trigger bar
27	2919	Slide stop lever
28	420	Trigger pin
29	427	Trigger housing pin
30	4368	Locking block pin
31-35	1691	Magazine assembled
31	1642	Magazine tube
32	1593	Follower
33	33509	Magazine spring
34	5166	Magazine insert
35	3206	Magazine floor plate